



ISV Series No. BF2D-R

# Seal Welded Body Ball Valve

## Threaded End Connections

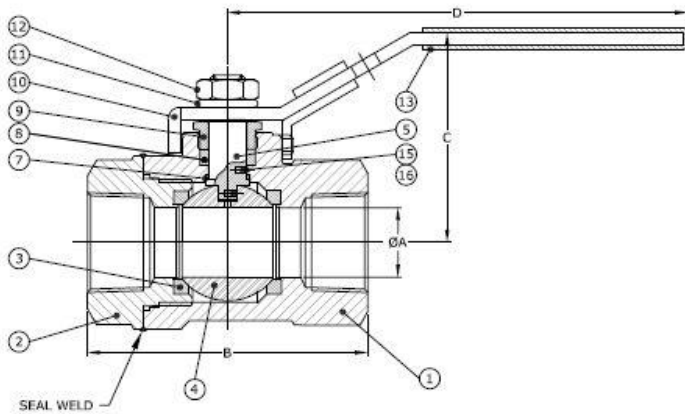
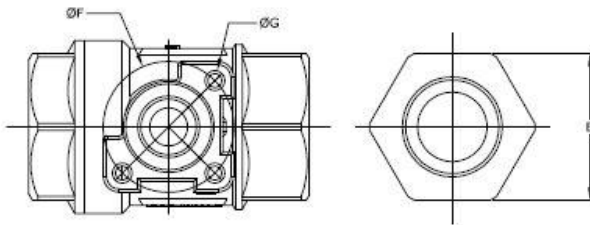


### PRESSURE RATING:

ASME Class 900

2200 PSIG @ 100°F W.O.G.—WCB Body

2160 PSIG @ 100°F W.O.G.—CF8M Body



## DESIGN & PRODUCTION FEATURES

- Seal welded body joint assures permanent connection & eliminates external leak path
- ASME B16.34 & API 608—code compliant
- Pressure tested to API 598
- Rugged modified PTFE seats (TFM 4215)
- Fire safe tested to API 607 5<sup>th</sup> Edition
- CF8M / 316SS ball & stem is standard
- Locking Lever is standard
- Optional locking oval handles available
- ISO actuator mounting pad is standard
- Meets NACE

## MATERIALS OF CONSTRUCTION

No.	PART NAME	MATERIAL	
1	BODY	WCB	CF8M
2	END CAPS	WCB	CF8M
3	SEATS	TFM 4215	
4	BALL	CF8M/316	
5	STEM	316SS	
7	THRUST WASHER	PTFE	
8	STEM PACKING	GRAPHITE	
9	PACKING GLAND	304SS	
10	Lever	304SS	
11	SPRING WASHER	304SS	
12	LEVER NUT	304SS	
13	PLASTIC COATING	VINYL	
15	ANTI-STATIC SPRING	316SS	
16	ANTI-STATIC BALL	316SS	

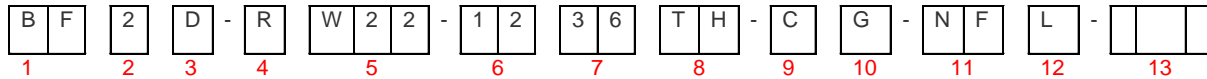
## DIMENSIONS

SIZE		A	B	C	D	E	F	G	ISO PATTERN
inch	mm								
1/4	8	0.375	2.650	1.770	4.170	1.000	1.420	M5	F03
3/8	10	0.375	2.650	1.770	4.170	1.000	1.420	M5	F03
1/2	15	0.500	2.650	1.930	4.170	1.260	1.420	M5	F03
3/4	20	0.690	3.080	2.510	5.710	1.540	1.655	M5	F04
1	25	0.875	3.540	2.655	5.710	1.850	1.655	M5	F04
1-1/4	32	1.000	4.010	2.900	7.560	2.240	1.970	M6	F05
1-1/2	38	1.260	4.260	3.090	7.560	2.520	1.970	M6	F05
2	50	1.500	4.940	3.380	7.560	3.150	1.970	M6	F05

# Specifying ISV Series No. BF2D-R Seal Welded Body Threaded End Ball Valve

**Example:** ISV figure number **BF2D-RW22-1236TH-CG-NFL**

Describes an ASME class 900, (2200 W.O.G.) two piece seal welded body design, regular port, floating type ball valve, female threaded ends, with WCB body material, 316SS ball & stem, TFM 4215 seal inserts, Graphite seals, locking lever operated, meets NACE and is fire safe tested.



1. Valve Type		2. Service /Design Style		3. Body Design		4. Bore		5. Working Pressure		6. Body Material	
Code	Description	Code	Description	Code	Description	Code	Description	Code	W.O.G.	Code	Description
BT	Ball Valve Trunnion	0	Adjustable Packing-(Commercial Design)	A	1 pc End Entry	R	Reduced	W10	1000 W.P.	11	A105N
BF	Ball Valve Floater	1	Adjustable Packing-Flanged (API 608, ASME B16.34)	B	2 pc Split- Bolted	F	Full	W15	1500 W.P.	12	WCB
				C	2 pc Threaded	S	Standard Port	W20	2000 W.P.	22	LF2
				D	2 pc Seal Weld			W21	2160 W.P.	24	LCC
				E	3 pc Bolted			W22	2200 W.P.	34	304SS / CF8
		2	Adjustable Packing THRD,SW,NIPPLE,B W Ends (API 608, ASME B16.34)	F	3 pc Threaded			W30	3000 W.P.	36	316SS / CF8M
		3	O-Ring Stem Seal	G	3 pc Welded			W36	3600 W.P.	71	Monel
		4	Metal Seated Valve					W60	6000 W.P.		

7. Trim Material		8. End Connections		9. Seat		10. Seal		11. Features		12. Operator	
Code	Description	Code	Description	Code	Description	Code	Description	Code	Description	Code	Description
10	C.S. + ENP	TH	Female Threaded	N	Nylon	V	Viton	NF	NACE compliant, Fire Safe Tested	L	Locking Lever
34	304SS / CF8			T	PTFE	H	HNBR			B	Bare Stem
36	316SS / CF8M			D	Devlon	L	Low Temp. (-50 F.) O-Ring	NW	NACE compliant, Non-Fire Tested	A	Actuated
71	Monel			H	HNBR	P	PEEK			G	Manual Gear
				R	R-PTFE	G	Graphite	WF	Without	H	Non-locking Lever
				C	TFM 4215	T	PTFE			C	Chain Wheel
				M	TFM 4105	M	TFM			O	Oval Hand wheel
		J	TFM 1600	E	EPDM	F	Delrin	WW	Without	S	Spring Return Lever
		P	PEEK	F	EPDM	K	Kel-F				
		E	EPDM	F	Delrin	1	Metal				
		F	Delrin								
		1	Metal								

13. Modifier Code	
Code	Description
	Special configurations.

## OTHER ISV PRODUCTS

Distributed by:



Threaded and Socket Weld End Ball valves 1/4" – 4"

API 6D Ball & Gates valves 1/2" – 56"



is a registered trademark of International Standard Valve, Inc.

10749 Cash Road, Stafford, Texas 77477, 713-983-7600

www.isvalve.com

sales@isvalve.com

Bulletin No. SB400.5 Issue 09/2013

