



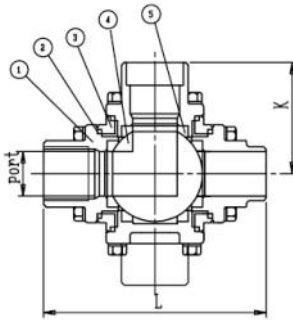
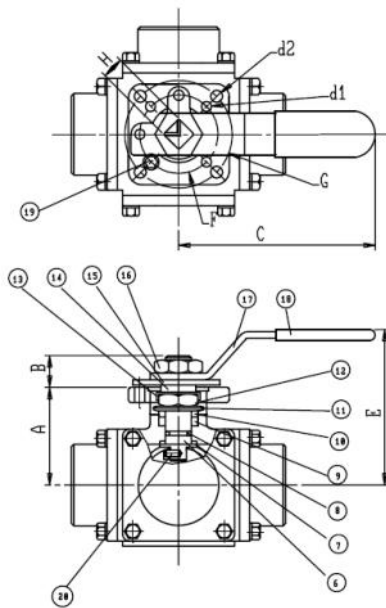
## Multi-Port Design Floating Ball Valves

### 3-Way and 4-Way, Threaded & Socket weld Ends

#### DESIGN & PRODUCTION FEATURES

- 3-Way and 4-Way piping connections
- T Port or L Port flow patterns
- Full or Reduced port configurations
- Size range ¼" through 2"
- Temperature range: -20 to 450 deg.F.
- Adjustable stem packing
- Pressure tested to API 598
- All valves with 316SS ball and stem
- All valves with locking lever operator
- ISO 5211 actuator mounting pad
- Meets NACE

**PRESSURE RATING:**  
800 PSIG @ 100F W.O.G.



#### Port Configurations

PORT TYPE	1	2	3	4
T				
L				

#### MATERIALS OF CONSTRUCTION

No.	Part	Material	Option
1	End Cap	A351 CF8M	A216 Gr. WCB
2	Gasket	PTFE	
3	Body	A351 CF8M	A216 Gr. WCB
4	Ball	316 SS	
5	Seats	RPTFE + CARBON	
6	Thrust Washer	RPTFE	
7	Stem	316 SS	
8	O-Ring	VITON	
9	Stem Packing	PTFE	
10	Gland	304 SS	
11	Disc Washer	304 SS	
12	Stem Nut	304 SS	
13	Nut Stop	304 SS	
14	Space Washer	304 SS	
15	Spacer	304 SS	
16	Handle Nut	304 SS	
17	Handle Nut	304 SS	
18	Cover	PLASTISOL	
19	Stop Pin	304 SS	
20	Insert Pin	316 SS	

#### DIMENSIONS

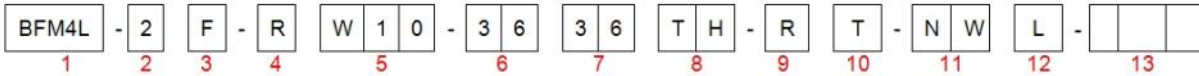
Red. Port	Full Port	A	B	C	d1	d2	E	F	G	H	K	L	PORT
-	1/4"	1.52	0.43	5.12	0.24	0.24	2.44	1.42	1.65	0.35	1.73	3.46	0.43
1/2"	3/8"	1.52	0.43	5.12	0.24	0.24	2.44	1.42	1.65	0.35	1.73	3.46	0.43
3/4"	1/2"	1.61	0.43	5.12	0.24	0.24	2.52	1.42	1.65	0.35	2.07	4.13	0.59
1"	3/4"	1.93	0.55	6.50	0.24	0.28	3.23	1.65	1.97	0.43	2.07	4.41	0.79
1-1/4"	1"	2.17	0.55	6.50	0.24	0.28	3.50	1.65	1.97	0.43	2.52	5.04	0.98
1-1/2"	1-1/4"	2.48	0.71	8.07	0.28	0.36	3.86	1.97	2.76	0.55	2.76	5.51	1.25
2"	1-1/2"	2.90	0.71	8.07	0.28	0.36	4.25	1.97	2.76	0.55	3.15	6.30	1.50
-	2"	3.66	0.91	12.80	0.36	0.45	5.51	2.76	4.02	0.67	3.78	7.56	1.97

# Specifying ISV Series No. BFM

## Multi-Port Floating Ball Valves

### Example: ISV figure number BFM4L-2F-RW10-3636TH-RTNW-L

Describes a 1000 PSIG W.O.G. three piece threaded body design 4-Way L-Port, floating type ball valve, reduced port, female threaded ends, with CF8M/316SS body material, CF8M/316SS ball & stem, reinforced PTFE seat inserts, PTFE seals, locking lever operated, meets NACE and is non-fire safe tested.



1. Valve Type		2. Service /Design Style		3. Body Design		4. Bore		5. Working Pressure		6. Body Material	
Code	Description	Code	Description	Code	Description	Code	Description	Code	W.O.G.	Code	Description
BT	Ball Valve Trunion	0	Adjustable Packing- (Commercial Design)	A	1 pc End Entry	R	Reduced	W06	600 W.P.	11	A105N
BFM3L	3-Way, L-Port, Floating Ball	1	Adjustable Packing- Flanged (API 608, ASME B16.34)	B	2 pc Split- Bolted	F	Full	W08	800 W.P.	12	WCB
BFM3T	3-Way, T-Port, Floating Ball			C	2 pc Threaded			W10	1000 W.P.	22	LF2
BFM4L	4-Way, L-Port, Floating Ball	2	Adjustable Packing THRD, SW, NIPPLE, B W Ends (API 608, ASME B16.34)	D	2 pc Seal Weld			W15	1500 W.P.	24	LCC
BFM4T	4-Way, T-Port, Floating Ball			E	3 pc Bolted			W20	2000 W.P.	34	304SS / CF8
		3	O-Ring Stem Seal	F	3 pc Threaded			W21	2160 W.P.	36	316SS / CF8M
		4	Metal Seated Valve	G	3 pc Welded			W22	2200 W.P.	71	Monel
								W30	3000 W.P.		
								W36	3600 W.P.		
								W60	6000 W.P.		

7. Trim Material		8. End Connections		9. Seat		10. Seal		11. Features		12. Operator	
Code	Description	Code	Description	Code	Description	Code	Description	Code	Description	Code	Description
10	C.S. + ENP	TH	Female Threaded	N	Nylon	V	Viton	NF	NACE compliant, Fire Safe Tested	L	Locking Lever
34	304SS / CF8	SW	Female Socket Weld	T	PTFE	H	HNBR			B	Bare Stem
36	316SS / CF8M	WW	WE x WE	D	Devlon	L	Low Temp. (-50 F.) O-Ring	NW	NACE compliant, Non-Fire Tested	A	Actuated
71	Monel			H	HNBR	P	PEEK			G	Manual Gear
				R	R-PTFE	G	Graphite	WF	NACE, Fire Safe Tested	H	Non-locking Lever
				C	TFM 4215	T	PTFE			C	Chain Wheel
				M	TFM 4105	M	TFM			O	Oval Hand wheel
				J	TFM 1600	E	EPDM			S	Spring Return Lever
				P	PEEK	F	Delrin	WW	NACE Non-Fire Tested		
				E	EPDM	K	Kel-F				
				F	Delrin	1	Metal				
				1	Metal						

13. Modifier Code	
Code	Description
	Special configurations.

## OTHER AVAILABLE ISV PRODUCTS



Trunion Mounted & Floating API 6D Ball valves 2" – 56"

Threaded and Socket Weld Ball valves 1/2" – 4"

Industrial Ball valves 1/2" – 12"



is a registered trademark of International Standard Valve, Inc.

7111 Perimeter Park Drive Bldg 320, Houston, Texas 77041, 713-983-7600  
 www.isvalve.com sales@isvalve.com Bulletin No. SB430.2 Issue 04/2011

