



ISV Series BFOA

Uni-Body Threaded End Ball Valve

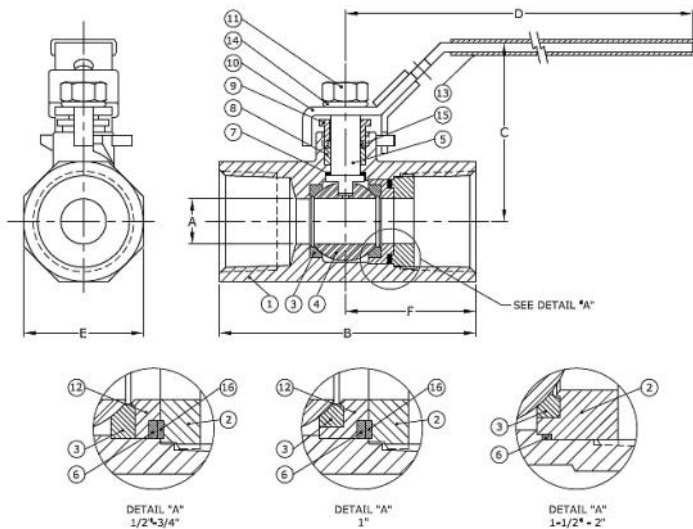
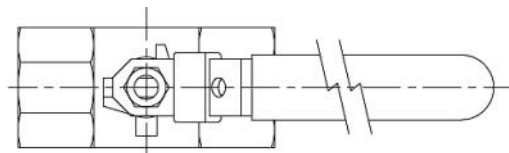
Threaded End Connections



PRESSURE RATING:

2000 PSIG @ 100°F W.O.G.—WCB Body

2000 PSIG @ 100°F W.O.G.—CF8M Body



DIMENSIONS INCHES

SIZE	A	B	C	D	E	F
inch						
1/2	0.315	2.50	1.61	3.94	1.06	1.29
3/4	0.433	2.88	1.90	4.53	1.25	1.50
1	0.591	3.34	2.32	4.92	1.56	1.69
1-1/2	0.930	4.06	2.95	6.30	2.25	2.06
2	1.180	4.53	3.17	6.30	2.75	2.32

DESIGN & PRODUCTION FEATURES

- One piece body *eliminates external leak path*
- Basic Design to MSS SP110
- Pressure tested to API 598
- Rugged modified PTFE seats (TFM 4215)
- Fire safe tested to API 607 5th Edition
- CF8M / 316SS ball & stem
- Locking Lever
- Optional locking oval handles available
- Meets NACE MR-0175/ISO-15156 & MR-0103

MATERIALS OF CONSTRUCTION

No.	PART NAME	MATERIAL	
1	BODY	WCB	CF8M
2	SEAT RETAINER	WCB	CF8M
3	SEATS	TFM 4215	
4	BALL	316SS	
5	STEM	17-4PH	
6	JOINT GASKET	GRAPHITE	
7	THRUST WASHER	PEEK	
8	STEM PACKING	GRAPHITE	
9	PACKING GLAND	304SS	
10	LEVER	304SS	
11	LEVER NUT	304SS	
12	SEAT RING	WCB	CF8M
13	PLASTIC SLEEVE	VINYL	
14	WASHER	STEEL Zinc Plated	
15	STEM BEARING	PTFE	
16	GASKET SUPPORT RING	304SS	

Specifying ISV Series BFOA *Uni-Body Body Threaded End Ball Valves*

Example: ISV figure number **BFOA-RW20-1236TH-CG-NFL**

Describes an ASME class 800, (2000 W.O.G.) one piece body design (Uni-Body), regular port, floating type ball valve, female threaded ends, with WCB body material, 316SS ball, TFM 4215 seats, graphite seals, locking lever operated, meets NACE and is fire safe tested.

B	F	O	A	-	R	W	2	0	-	1	2	3	6	T	H	-	C	G	-	N	F	L	-				
1	2	3	4		5	6	7	8		9	10	11	12					13									

1. Valve Type		2. Service /Design Style		3. Body Design		4. Bore		5. Working Pressure		6. Body Material	
Code	Description	Code	Description	Code	Description	Code	Description	Code	W.O.G.	Code	Description
BT	Ball Valve Trunnion	0	Adjustable Packing-(Commercial Design)	A	1 pc End Entry	R	Reduced	W10	1000 W.P.	11	A105N
BF	Ball Valve Floater	1	Adjustable Packing-Flanged (API 608, ASME B16.34)	B	2 pc Split- Bolted	F	Full	W15	1500 W.P.	12	WCB
		2	Adjustable Packing THRD,SW,NIPPLE,B W Ends (API 608, ASME B16.34)	C	2 pc Threaded	S	Standard Port	W20	2000 W.P.	22	LF2
		3	O-Ring Stem Seal	D	2 pc Seal Weld			W21	2160 W.P.	24	LCC
		4	Metal Seated Valve	E	3 pc Bolted			W22	2200 W.P.	34	304SS / CF8
				F	3 pc Threaded			W30	3000 W.P.	36	316SS / CF8M
				G	3 pc Welded			W36	3600 W.P.	71	Monel
								W60	6000 W.P.		

7. Trim Material		8. End Connections		9. Seat		10. Seal		11. Features		12. Operator	
Code	Description	Code	Description	Code	Description	Code	Description	Code	Description	Code	Description
10	C.S. + ENP	TH	Female Threaded	N	Nylon	V	Viton	NF	NACE compliant, Fire Safe Tested	L	Locking Lever
34	304SS / CF8			T	PTFE	H	HNBR			B	Bare Stem
36	316SS / CF8M			D	Devlon	L	Low Temp. (-50 F.) O-Ring	NW	NACE compliant, Non-Fire Tested	A	Actuated
71	Monel			H	HNBR	P	PEEK	WF	Without NACE, Fire Safe Tested	G	Manual Gear
				R	R-PTFE	G	Graphite			H	Non-locking Lever
				C	TFM 4215	T	PTFE	WW	Without NACE Non-Fire Tested	C	Chain Wheel
				M	TFM 4105	M	TFM			O	Oval Hand wheel
				J	TFM 1600	E	EPDM			S	Spring Return Lever
				P	PEEK	F	Delrin				
				F	Delrin	K	Kel-F				
				1	Metal	1	Metal				

13. Modifier Code

Code	Description
	Special configurations.

Distributed by:

OTHER ISV PRODUCTS



Threaded and Socket Weld End Ball valves 1/4" – 4"

API 6D Ball & Gates valves 1/2" – 56"

